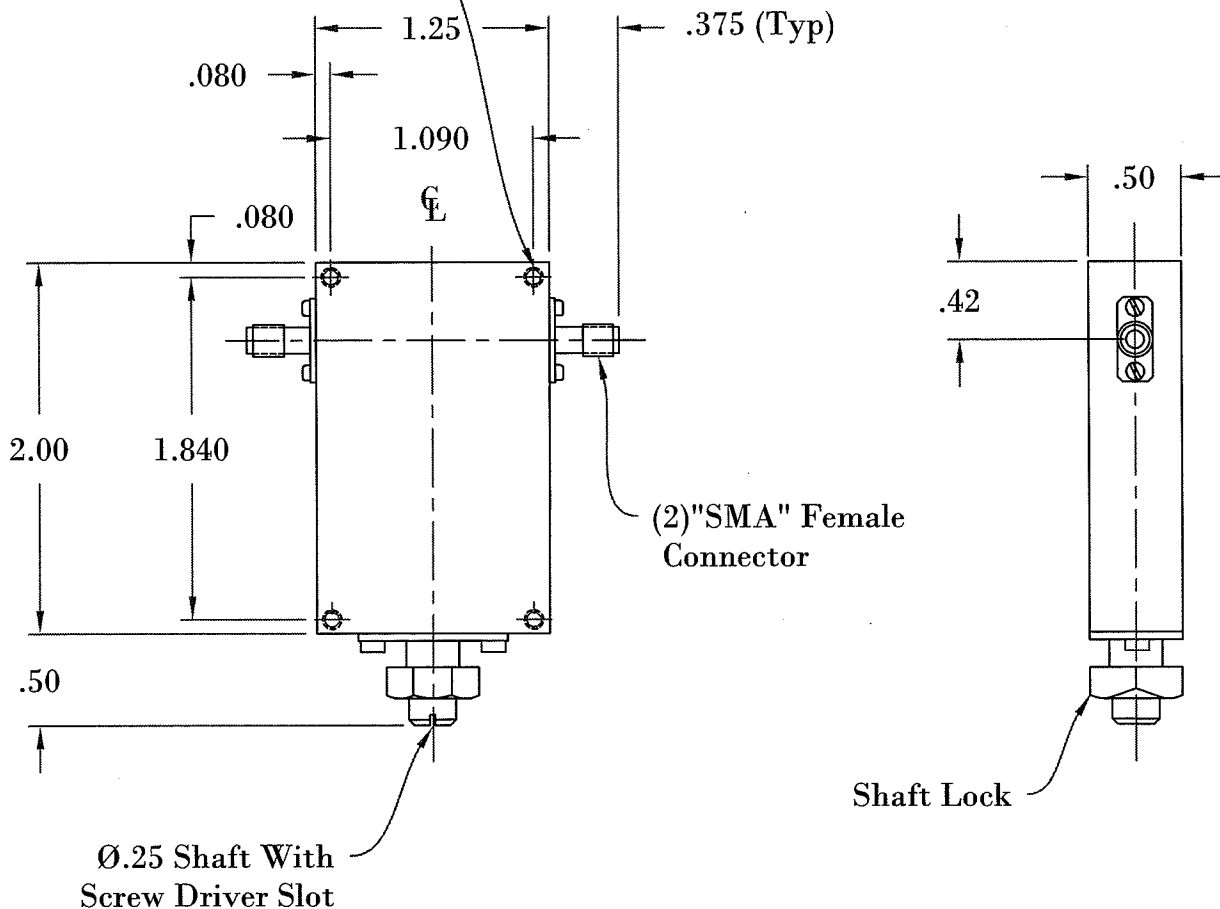



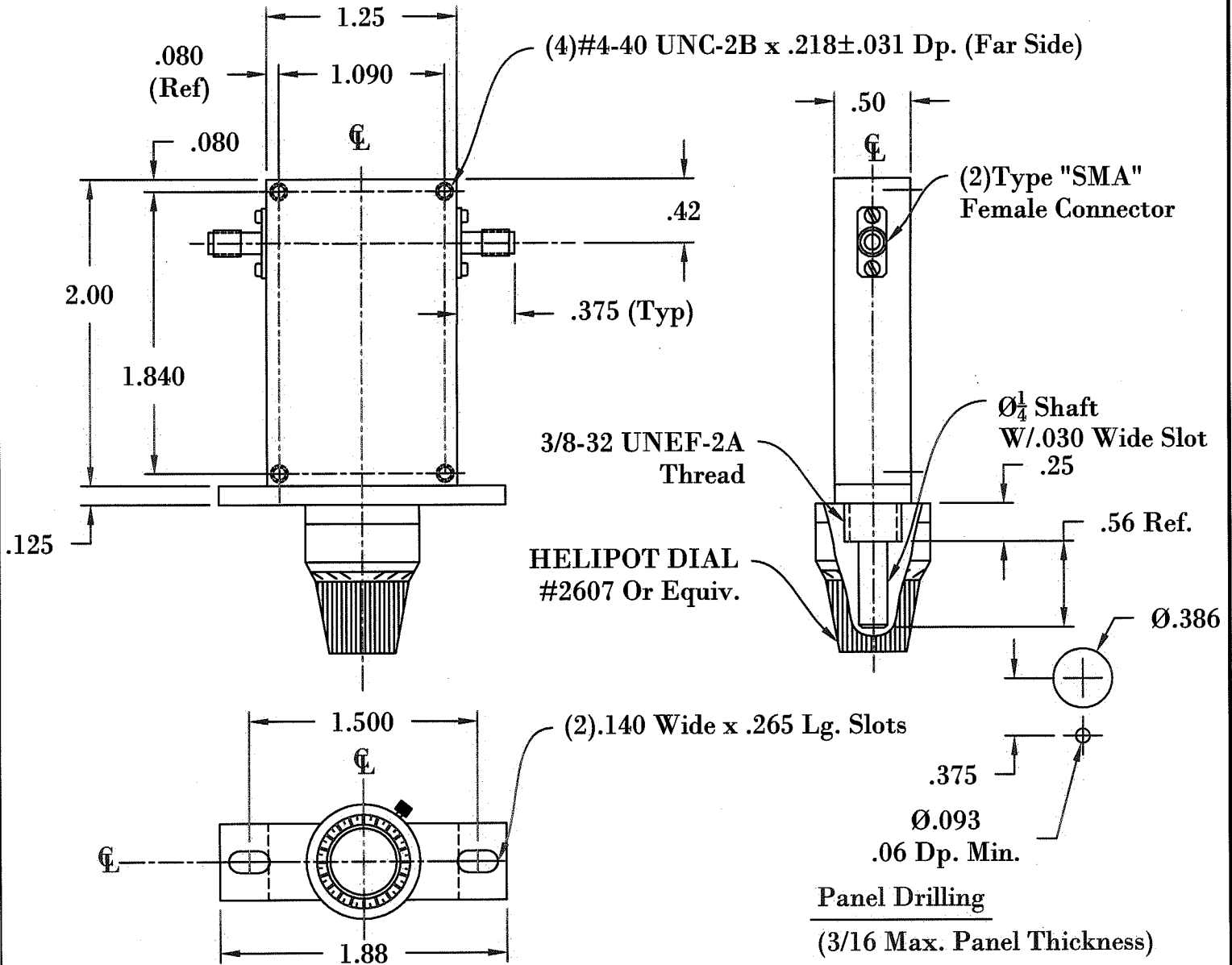
LTR	DESCRIPTION	DATE	APPD
A	#4-40 x .218 Dp. was 3/16 Dp.	1/24/91	DCR
B	Updated Conn. Pictorially	4/10/93	DCR
C	Added Tolerance Block, All Dim. Were Fractional	3/30/94	Fc
D	REDRAWN TO AUTOCAD	2/7/16	TAC

(4)#4-40 UNC-2B x .218±.031Dp.



0-2054, 7052		DRN: JROD	DATE 2/7/16	 ARBA inc. ANTENNA & RADOME RESEARCH ASSOCIATES			
P/N	NEXT ASS'Y	Original DRN: JB	DATE 4/5/72				
APPLICATION		APPD: TAC	DATE 2/7/16	TITLE OUTLINE VARIABLE ATTENUATOR			
TOLERANCE ON DIMENSIONS NOT OTHERWISE SPECIFIED:		MAT'L:		SIZE	CODE IDENT. NO	DWG. NO.	REV.
FRACTIONS	DECIMALS	ANGLES	FINISH:	A	09992	3651	D
± 1/32	.XX ± .02 .XXX ± .010	± 1/2°		SCALE:	1:1	BK#470	SHEET 1 OF 1
INTERNAL MACHINED RADII		.010 MAX.					
CONCENTRIC DIAMETERS		.010 T.I.R.					

LTR	DESCRIPTION	DATE	APPD
A	ADDED PANEL DRILLING	1/4/77	JV
B	#4-40 X .218 DP. WAS 3/16 DP.	1/24/91	JV
C	3/16 WAS .18, 5/8 REF WAS .62	9/21/92	JV
D	REVISD TOL, .25 WAS 3/16, P/M SLOT WERE Ø.14 @1 5/8	6/1/94	CN
E	REDRAWN TO AUTOCAD	1/13/16	TAC



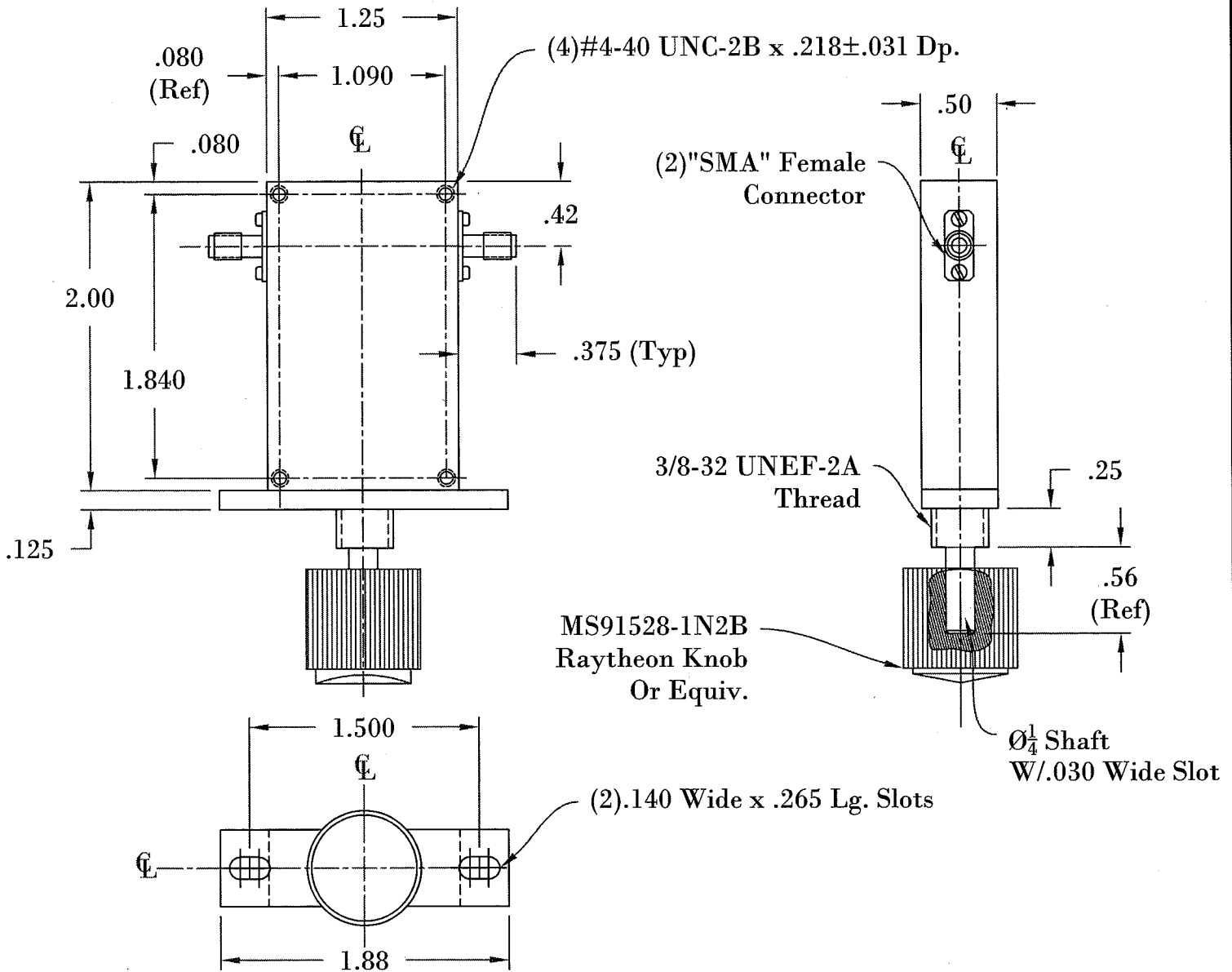
7054		DRN: JROD	DATE: 10/20/15
P/N	NEXT ASS'Y	USED ON	Original DRN: RDS
APPLICATION		APPD: TAC	DATE: 2/25/76
TOLERANCE ON DIMENSIONS NOT OTHERWISE SPECIFIED:		MAT'L:	DATE: 1/11/16
FRACTIONS	DECIMALS	ANGLES	FINISH:
± 1/32	.XX ± .02 .XXX ± .010	± 1/2 °	
INTERNAL MACHINED RADII		.010 MAX.	
CONCENTRIC DIAMETERS		.010 T.I.R.	

ARRA inc.
ANTENNA & RADOME RESEARCH ASSOCIATES

TITLE **OUTLINE**
VARIABLE ATTENUATOR
(SMA FEMALE)

SIZE	CODE IDENT. NO	DWG. NO.	REV.
A	09992	4320	E
SCALE:	1:1	BK470	SHEET 1 OF 2

LTR	DESCRIPTION	DATE	APPD
A	#4-40 X .218 DP. WAS 3/16 DP.	1/29/91	DCR
B	3/16 WAS .18, 5/8 (REF) WAS .62	9/21/92	DCR
C	REVISED TOL, Ø25 WAS 3/16, PM SLOTS WERE Ø.14 @1 5/8	6/1/94	CN
D	REDRAWN TO AUTOCAD	101/20/15	TAC



	7055		DRN: JROD	DATE 10/20/15
P/N	NEXT ASS'Y	USED ON	Original DRN: RDS	DATE 2/25/76
APPLICATION			APPD: TAC	DATE 10/20/15
TOLERANCE ON DIMENSIONS NOT OTHERWISE SPECIFIED:			MATL:	
FRACTIONS	DECIMALS	ANGLES	FINISH:	
± 1/32	.XX ± .02 .XXX ± .010	± 1/2°		
INTERNAL MACHINED RADII		.010 MAX.		
CONCENTRIC DIAMETERS		.010 T.I.R.		

ARRA inc.

ANTENNA & RADOME RESEARCH ASSOCIATES

TITLE			
OUTLINE VARIABLE ATTENUATOR			
SIZE	CODE IDENT. NO	DWG. NO.	REV.
A	09992	4322	D
SCALE:			SHEET
1:1		BK470	1 OF 1