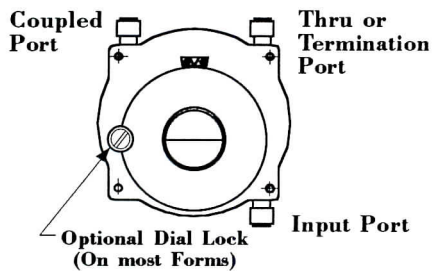


# VARIABLE COUPLER ATTENUATORS

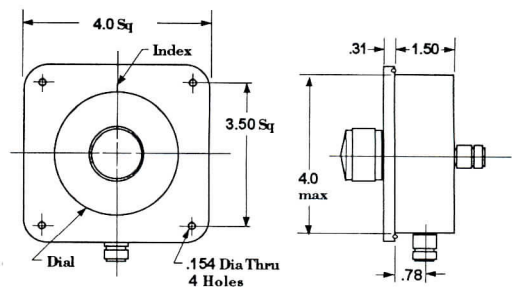
100 dB Range  
Low Phase



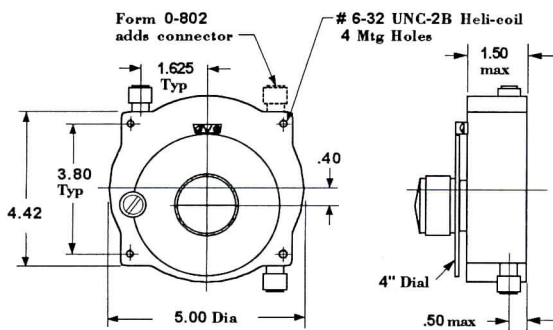
### Typical Port Designation



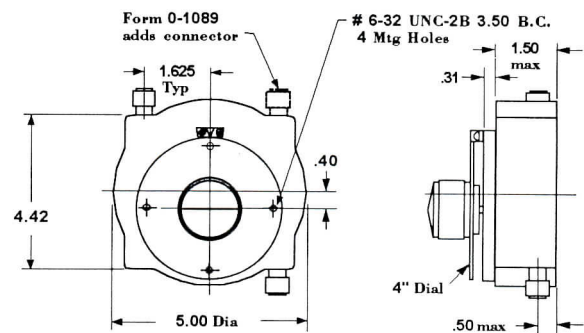
### Panel Mount Standard Form 0-1212



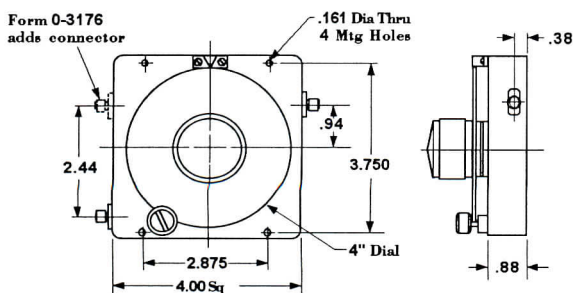
### Standard Forms 0-660 & 0-802



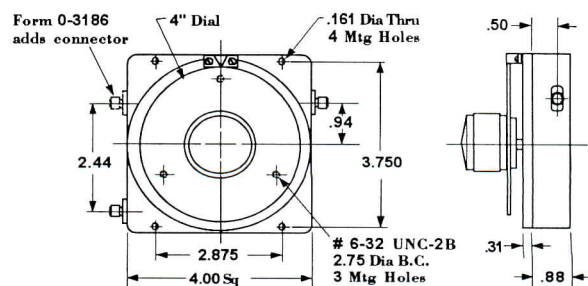
### Panel Mount Forms 0-1074 & 0-1089



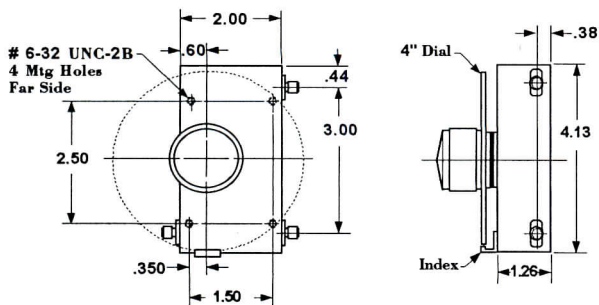
### Standard Forms 0-3176 & 0-3177



### Panel Mount Forms 0-3186 & 0-3187



### Standard Form 0-2366



### Panel Mount Form 0-2760

